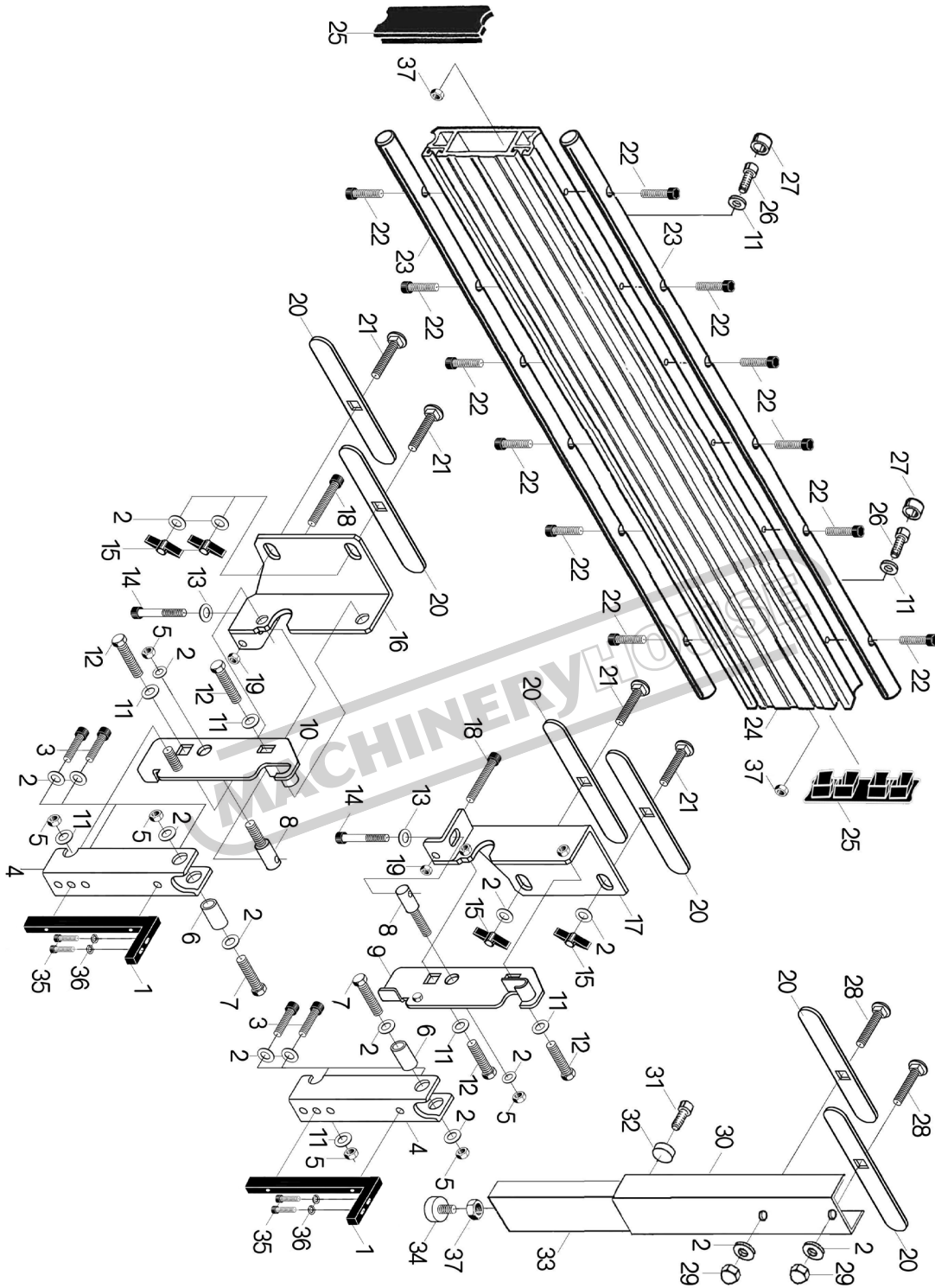


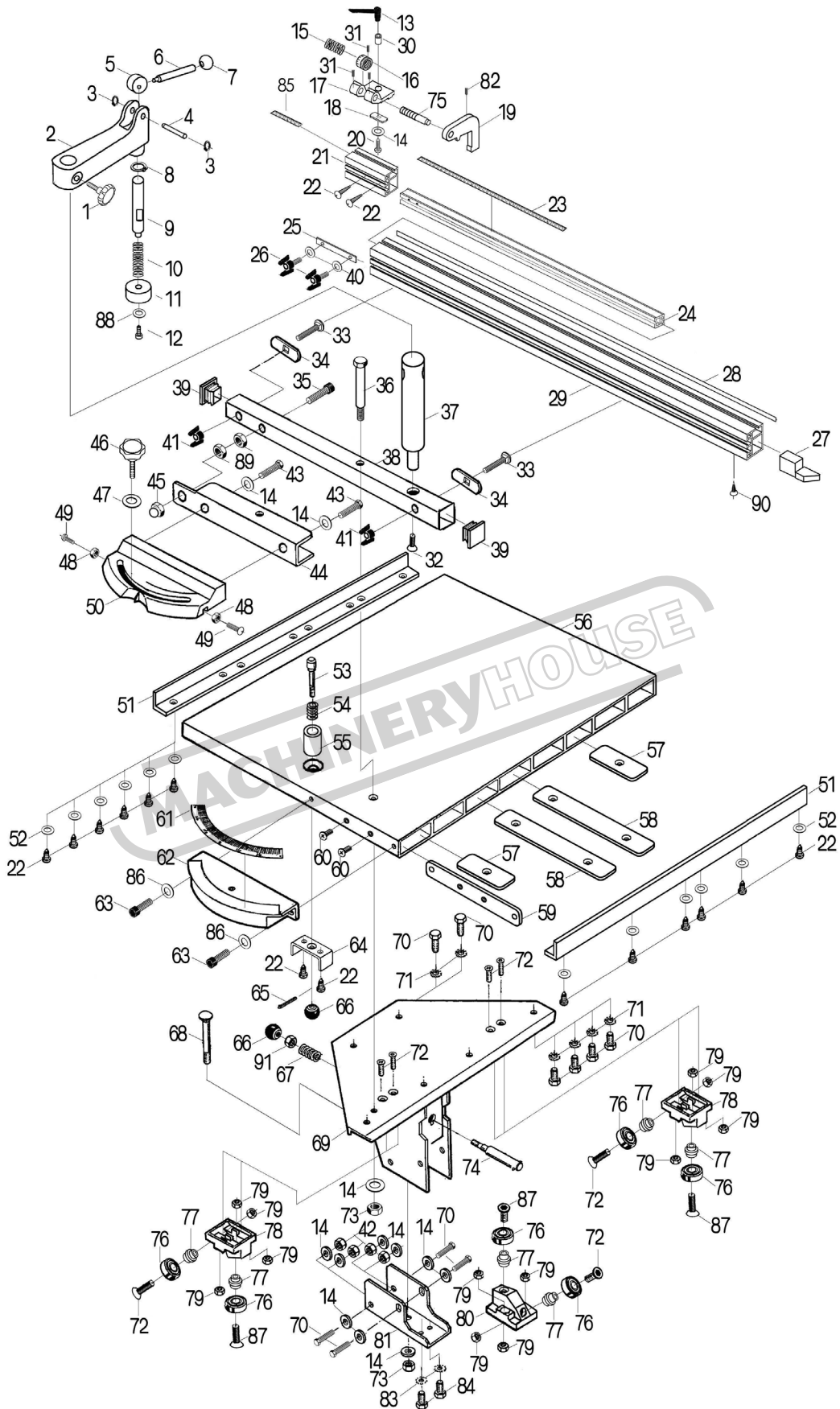
DIAGRAM F



PARTS LIST—PART F

NO.	DESCRIPTION	Q'TY
F-1	RAIL BRACKET	2
F-2	WASHER 8	16
F-3	INNER HEX. SCREW M8×16	4
F-4	MOUNTING BRACKET	2
F-5	HEX.NUT M8	6
F-6	SPACER OF MOUNTING BRACKET	2
F-7	HEX.BOLT M8X50	2
F-8	ADJUSTING NUT	2
F-9	MOUNTING BRACKET 2 OF SLIDING TABLE	1
F-10	MOUNTING BRACKET1 OF SLIDING TABLE	1
F-11	WASHER 8	8
F-12	HEX.BOLT M8X20	4
F-13	WASHER 6	2
F-14	INNER HEX.SOCKET CAP HEAD SCREW M6×65	2
F-15	WING SHAPE NUT	4
F-16	MOUNTING BRACKET3 OF SLIDING TABLE	1
F-17	MOUNTING BRACKET4 OF SLIDING TABLE	1
F-18	INNER HEX.SOCKET CAP HEAD SCREW M6×40	2
F-19	HEX.NUT M6	2
F-20	STEP BOLT PAD	6
F-21	STEP BOLT M8X25	4
F-22	INNER HEX.SOCKET CAP HEAD SCREW M6×20	12
F-23	SLIDING TABLE RAIL	2
F-24	SLIDING RAIL	1
F-25	END CAP,SLIDING RAIL	2
F-26	INNER HEX.SOCKET CAP HEAD SCREW M8×20	2
F-27	RUBBER BUSHING	2
F-28	STEP BOLT M8X40	2
F-29	HEX.CAP NUT M8	2
F-30	UPPER CONNECTION,SUPPORT LEG	1
F-31	INNER HEX.SOCKET CAP HEAD SCREW M8×25	1
F-32	SCREW PAD	1
F-33	LOWER CONNECTION,SUPPORT LEG	1
F-34	FINE ADJUSTING DISC	1
F-35	INNER HEX.SOCKET CAP HEAD SCREW M8×45	4
F-36	WASHER 8	4
F-37	HEX.NUT M8	3

DIAGRAM G



NO.	DESCRIPTION	Q'TY
G-1	KNURL BOLTM8×20	1
	HEX.BOLT M8×30	1
	HEX. NUT M8	1
G-2	CLAMPING BRACKET	1
G-3	RETAINING RING d=8	2
G-4	ECCENTRIC SHAFT	1
G-5	ECCENTRIC BLOCK	1
G-6	ECCENTRIC BAR	1
G-7	KNOB FOR BAR	1
G-8	RETAINING RING d=12	1
G-9	CLAMPING BLOCK SHAFT	1
G-10	CLAMPING BLOCK SPRING	1
G-11	CLAMPING BLOCK	1
G-12	HEX. SCREW M5×12	1
G-13	ADJUSTMENT HANDLE	1
	SPRING FOR ADJUSTING HANDLE	1
	SCREW FOR ADJUSTMENT HANDLE	1
	GEAR FOR ADJUSTMENT HANDLE	1
G-14	8MM WASHER	13
G-15	SPRING FOR MICRO ADJUSTMENT WHEEL	1
G-16	MICRO ADJUSTMENT WHEEL	1
G-17	BASE OF MOVABLE FLAPPER	1
G-18	CLAMPING WAHSER FOR BASE	1
G-19	MOVABLE FLAPPER	1
G-20	CARRIAGE BOLT M6×35	1
G-21	EXTENSION SQUARE BAR BASE	1
G-22	SELF-TAPPING SCREW ST3.5×10	16
G-23	SCALE FOR EXTENSION SQUARE BAR	1
G-24	EXTENSION SQUARE BAR	1
G-25	FIXING PLATE FOR SQUARE BAR	1
G-26	BUTTERFLY NYLON BOLT M6×25	2
G-27	END STOP OF GUIDE	1
G-28	SCALE FOR GUIDE	1

NO.	DESCRIPTION	Q'TY
G-29	GUIDER	1
G-30	SLEEVE	1
G-31	INNER HEX. SCREW M5×6	3
G-32	INNER HEX. SCREW M8×20	1
G-33	CARRIAGE BOLT M6×50	2
G-34	FIXING WASHER FOR GUIDER	2
G-35	INNER HEX. SCREW M8×25	1
G-36	SCREW	1
G-37	COLUMN	1
G-38	SQUARE TUBE	1
G-39	END CAP FOR TUBE	2
G-40	WASHER 6MM	2
G-41	BUTTERFLY NUT M6	2
G-42	HEX. NUT M8	4
G-43	HEX. BOLT M8×12	2
G-44	U-BAR FOR GUIDER	1
G-45	NUT M8	1
G-46	KNURL SCREW FOR SCALE LOCKING	1
	HEX. BOLT M8×35	1
	HEX. NUT M8	1
G-47	WASHER 8MM	1
G-48	HEX. NUT M5	2
G-49	SCREW M5×30	2
G-50	MITER GAUGE	1
G-51	ANGLE AL.	2
G-52	WASHER 4MM	12
G-53	FIXING SHAFT	1
G-54	SLEEVE FOR FIXING SHAFT	1
G-55	FIXING SLEEVE	1
G-56	SLIDING TABLE	3
G-57	SHORT FIXING PLATE	2

PARTS LIST—PART G (3)

NOF	DESCRIPTION	Q'TY
G-58	LONGER FIXING PLATE	2
G-59	FIXING PLATE FOR TRUNNION	1
G-60	SCREW M4×10	2
G-61	SCALE FOR TRUNNION	1
G-62	TRUNNION	1
G-63	INNER HEXFSCREW M6×16	2
G-64	BRACKET FOR FIXING SHAFT	1
G-65	SPRING PIN ϕ 4×35	1
G-66	KNOB	2
G-67	SPRING FOR STOP SHAFT	1
G-68	CARRIAGE BOLT M8×90	1
G-69	TABLE BRACKET A	1
G-70	HEXFBOLT M8×20	10
G-71	STAR WASHER 8MM	6
G-72	INNER HEXFSCREW M6×22	7
G-73	LOCKING NUT M8	2
G-74	STOP SHAFT	1
G-75	MOVABLE FLAPPER SHAFT	1
G-76	BALL BEARING 6100-2RS	6
G-77	SPACER	6
G-78	UPPER BEARING BLOCK	2
G-79	LOCKING NUT M6	12
G-80	LOWER BEARING BLOCK	1
G-81	BEARING ADJUSTING BLOCK	1
G-82	SPRING PIN ϕ 3×10	1
G-83	STAR WASHER 6MM	2
G-84	HEXFBOLT M6×20	2
G-85	EXTENSION SCALE	1
G-86	WASHER 6MM	2
G-87	INNER HEXFSCREW M6×25	3
G-88	WASHER 5MM	1
G-89	HEXFTHIN NUT M8	2
G-90	SELF-TAPPING SCREW ST4×13	1
G-91	HEXFTHINNUT M8	1